

Sanitana

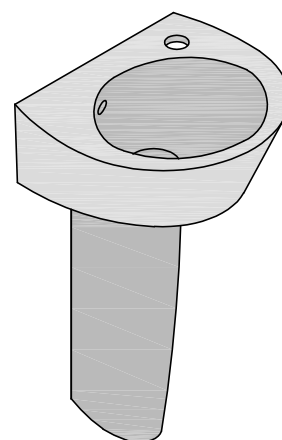
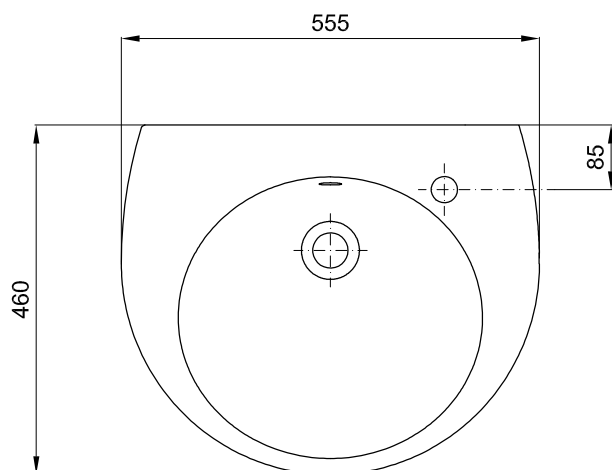
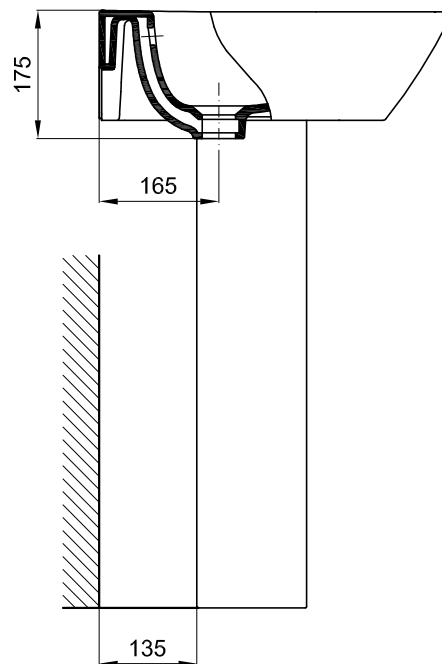
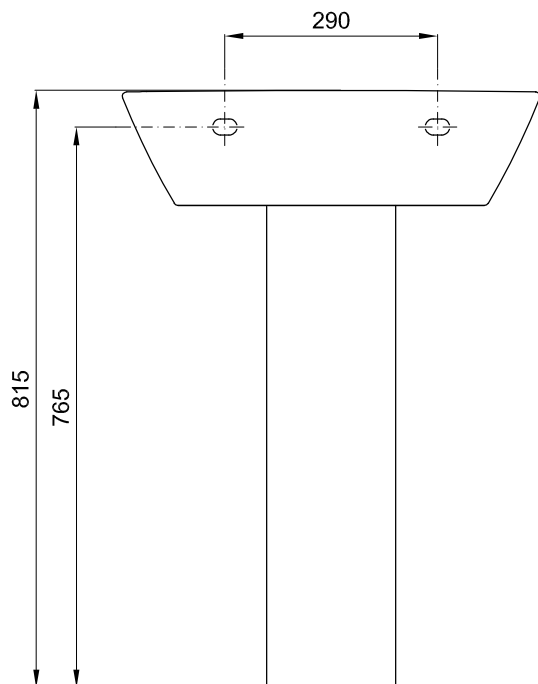
CARACTERÍSTICAS DO MODELO:

- MATERIAL: VITREOUS CHINA
- LAVA-MÃOS COM COLUNA E UM FURO ABERTO PARA TORNEIRA MONOBLOCO
- PROVIDO DE FURO LADRÃO
- S/EN 31; UNE - EN 31; NF - EN 31; NF D 11 - 101; EN 14688
- GARANTIA DE 2 ANOS
- PESO LAVATÓRIO: 14.5KG
- PESO COLUNA: 9.0KG

PEÇA:

- DESCRIÇÃO: LAVA-MÃOS COM COLUNA
- SERIE: POP
- VERSÃO: 55.5x46 - UM FURO PARA TORNEIRA
- REF: S100138359...00 / TN10000400000000

CROQUIS COM DIMENSÕES GERAIS E DE LIGAÇÃO:



COMPONENTES INCLUÍDOS:

- KIT DE FIXAÇÃO LAVATÓRIO Ref: TNR1000000001002

PRODUTOS ASSOCIADOS:

- SEMI-COLUNA Ref: S100134179...00 (OPCIONAL)

Sanitana

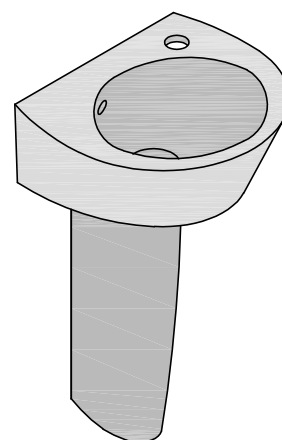
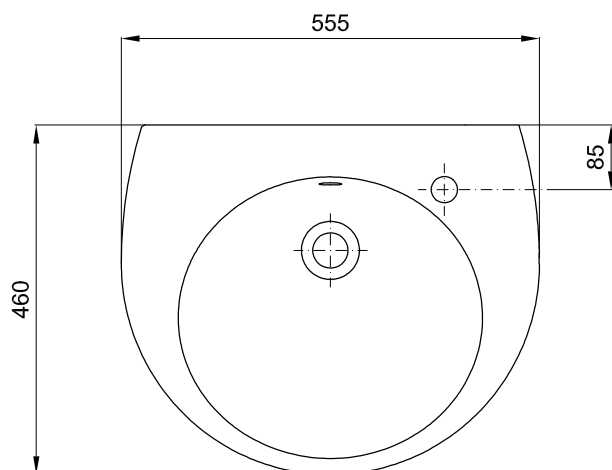
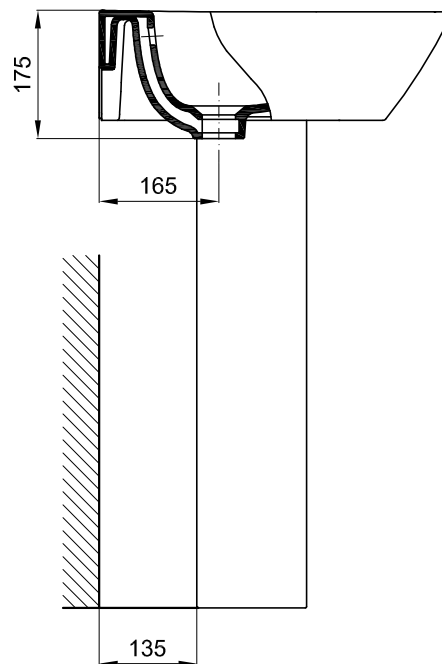
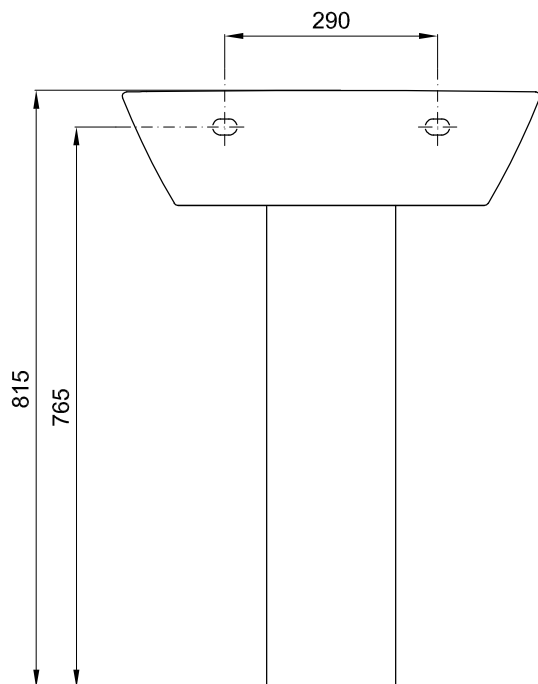
FEATURES OF THE MODEL:

- MATERIAL: VITREOUS CHINA OR FIRE CLAY
- WALL BASIN WITH COLUMN AND ONE OPEN HOLE FOR TAP MONOBLOCK
- PROVIDED WITH HOLE THIEF
- EN 31; UNE-EN 31; NF-EN 31; NF D 11 - 101; EN 14688
- TWO YEARS WARRANTY
- WEIGHT WASHBASIN: 14.5KG
- WEIGHT COLUMN: 9.0KG

PART:

- DESCRIPTION: WASHBASIN WITH COLUMN
- SERIES: POP
- VERSION: 55.5x46 - ONE HOLE FOR TAP
- REF: S100138359...00 / TN10000400000000

SKETCH WITH DIMENSIONS AND CONNECTIONS:



INCLUDED COMPONENTS:

- FIXING KIT WASHBASIN Ref: TNR100000001002

RELATED PRODUCTS:

- SEMI-COLUMN Ref: S100134179...00 (OPCIONAL)

FORM N°: SDRW-000043606-c

The products presented follow technical specifications Sanitana SA. The dimensions are approximate. For installation as only to be considered the dimensions of the part to be removed applied. We reserve the right to make technical changes to improve the functionality of our products without notice.