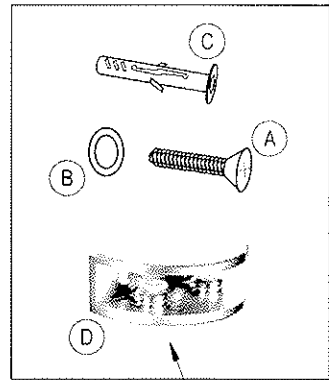
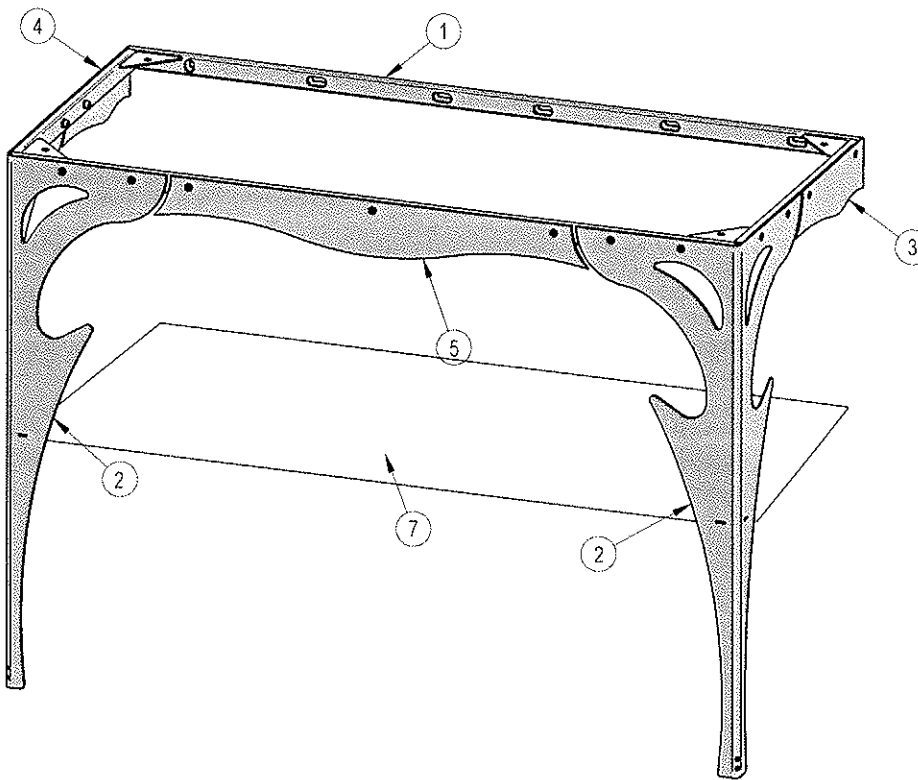
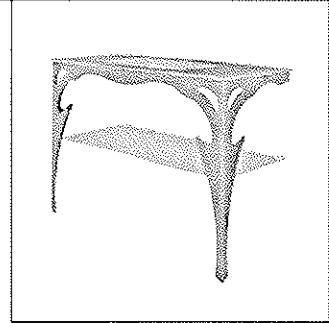
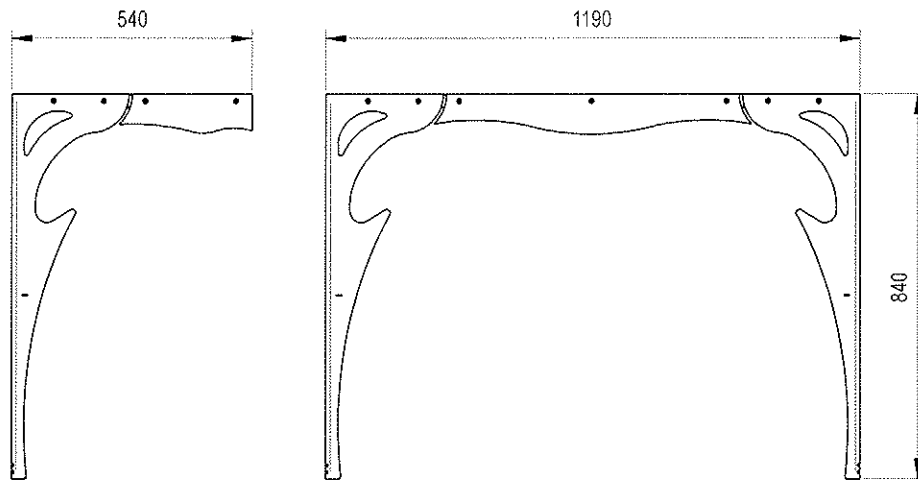


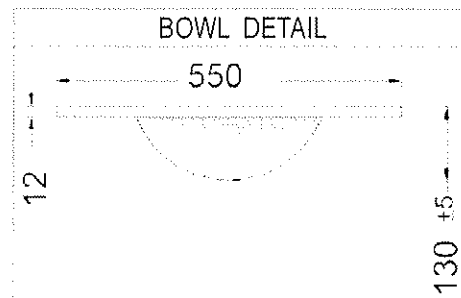
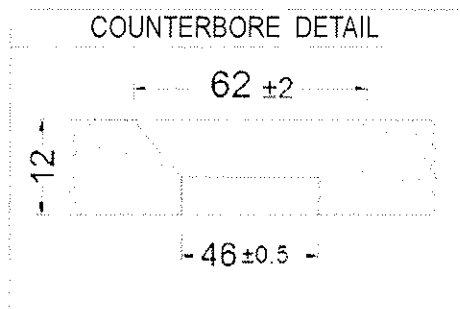
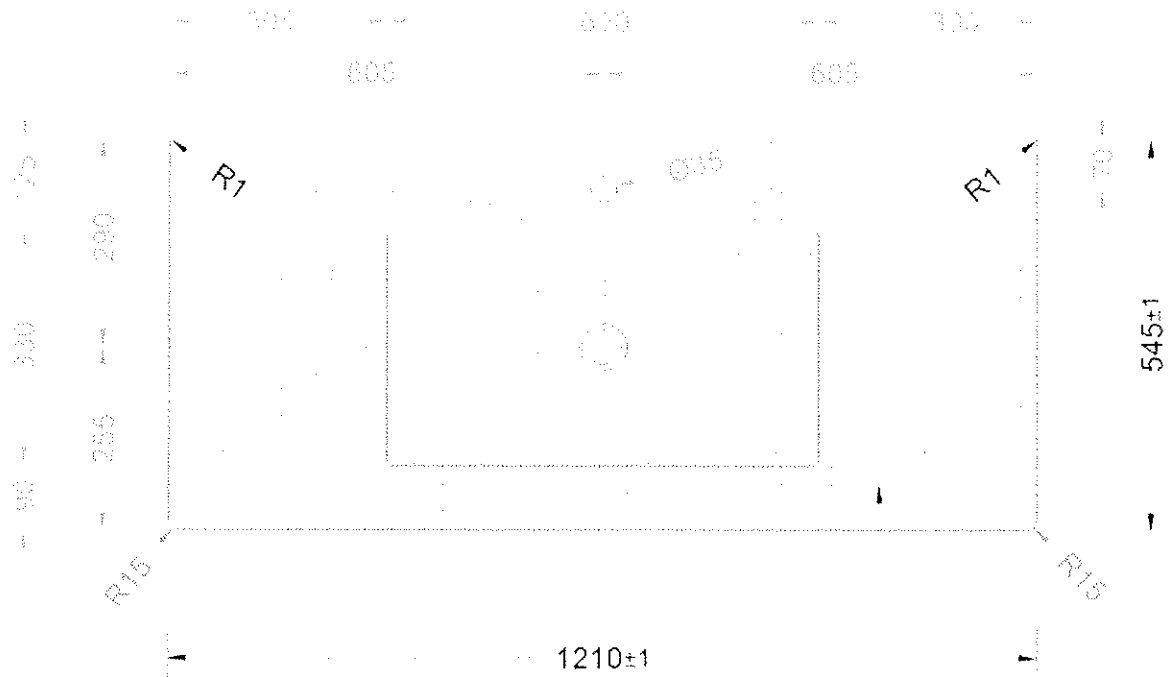
WALL CONSOLLE | HORTENSIA



REF	AM	DESCRIPTION	MATERIAL
1	1	FRAME TABLE LEGS 1160x520	STEEL
2	2	LEG FOR CONSOLLE	STEEL + GLASS
3	1	LATERAL DX	STEEL + GLASS
4	1	LATERAL SX	STEEL + GLASS
5	1	ANTERIOR	STEEL + GLASS
6	1	HARDWARE KIT: A N.15 BOLTS B N.15 WASHER C N.3 FISHER Ø 6 D N.2 SHELF	
7	1	SHELF TEMPERED GLASS MM. 8	GLASS
		NET WEIGHT TOT. KG. 26	

SINK | HORTENSIA

SINK PACKED IN BOX WITH COVER PROTECTIVE + EXTENSIBLE



REF	AM	DESCRIPTION	MATERIAL
		SINK 1210x550 CX VAS. 600x330 THICKNESS MM. 12	EXTRA-CLEAR GLASS
		NET WEIGHT TOT. KG. 19,8	