

## Export 2200

Design: Studio Inda

### A2218A

Export 2200 Towel holder A2218ACR

INDA ACCESSORIES Export 2200 Towel holder Cm35X7 H7 CR



To Activate the interactive 3D view, you must trust this document (see hint on the top) in Adobe Acrobat and click on the question mark.

**3D VIEW**



Moves you toward or away from objects in the scene when you drag vertically. You can also zoom with the hand tool by holding down Shift as you drag.



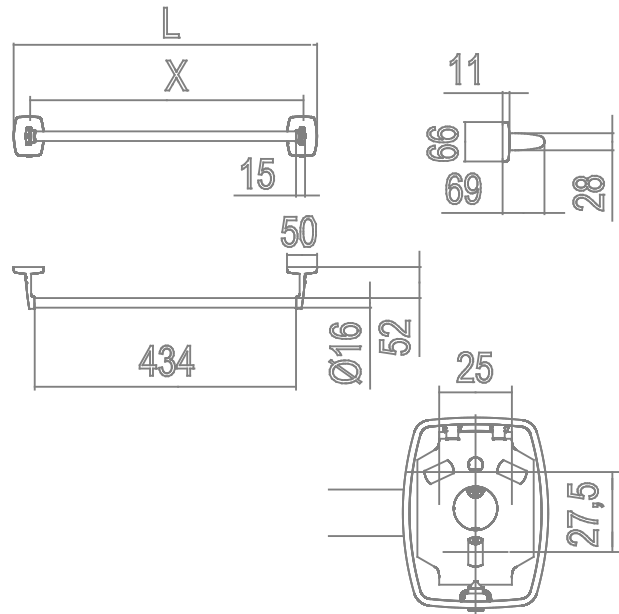
Moves the model vertically and horizontally only. You can also pan with the hand tool: Ctrl-drag.



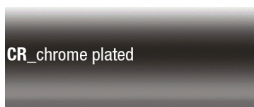
Turns 3D objects around relative to the screen. How the objects move depends on the starting view, where you start dragging and the direction in which you drag.

## 2D DERIVATION

## TECHNICAL DRAWINGS



## AVAILABLE FINISHES



<b>Code</b>	A2218ACR
<b>Material</b>	Chrome-plated
<b>Very short description 1</b>	INDA Towel holder Cm35X7 H7
<b>Very short description 2</b>	Export 2200 A2218A 35X7 CR
<b>Article description</b>	INDA ACCESSORIES Export 2200 Towel holder Cm35X7 H7 CR
<b>International code</b>	EAN-13:8010359043094
<b>Height [cm]</b>	7
<b>Width [cm]</b>	35
<b>Depth [cm]</b>	7
<b>Weight [kg]</b>	0.275
<b>Item interaxis [cm]</b>	30.4
<b>Series</b>	Export 2200
<b>LINE</b>	Towel holder
<b>Model</b>	A2218A
<b>Intrastat code</b>	74182000
<b>URL link web site of the article</b>	<a href="https://www.inda.net/">https://www.inda.net/</a>
<b>Design</b>	Studio Inda