

Sanitana

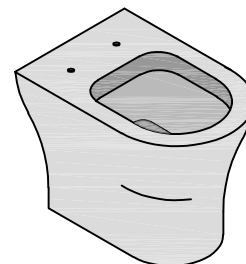
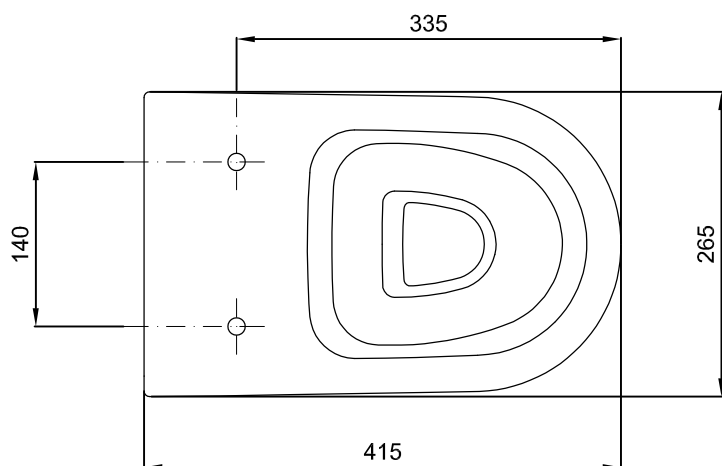
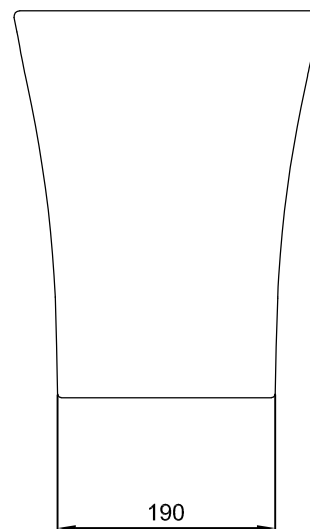
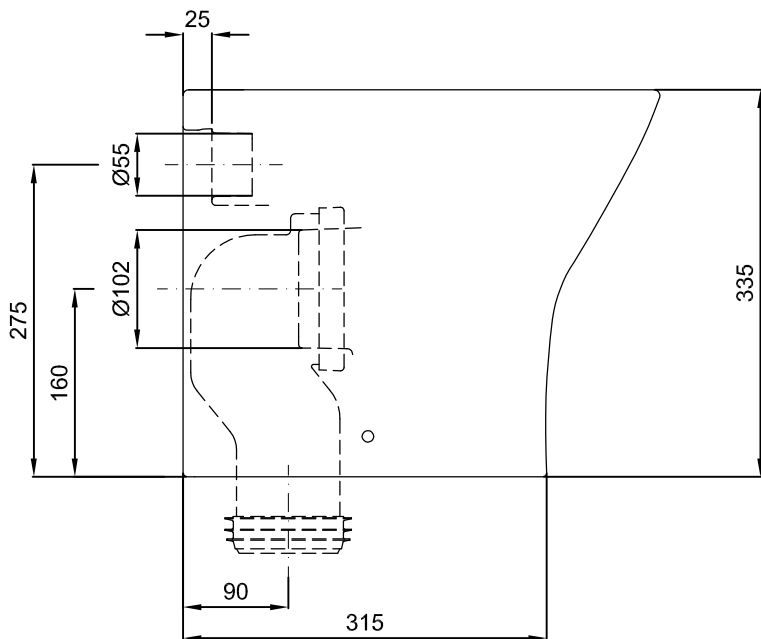
CARACTERÍSTICAS DO MODELO:

- MATERIAL: VITREOUS CHINA
- SANITA DE PÉ COM DESCARGA DIRECTA E SAÍDA DUAL
- PROVIDA DE TANQUE ALTO ENCASTRADO OU FLUXÓMETRO
- S/EN 33: EN 997; UNE - EN 33; UNE - EN 997; NF - EN 33;
- NF - EN 997; NF D 12 - 101
- S/NF D 12 - 203
- GARANTIA DE 2 ANOS
- PESO: 12.0KG

PEÇA:

- DESCRIÇÃO: SANITA SIMPLES DE PÉ
- SERIE: NEXO
- VERSÃO: SAÍDA DUAL (H/V)
- REF: S100131233...00

CROQUIS COM DIMENSÕES GERAIS E DE LIGAÇÃO:



COMPONENTES INCLUÍDOS:

- KIT DE FIXAÇÃO SANITA Ref: TNR1000000001004
- CURVO DE EVACUAÇÃO Ref: E55824000

PRODUTOS ASSOCIADOS:

- TAMPO - (OPCIONAL, CONSULTAR CATALOGO GERAL)

Sanitana

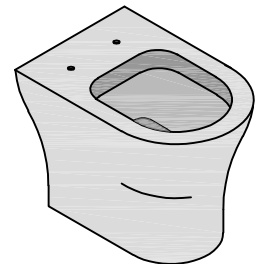
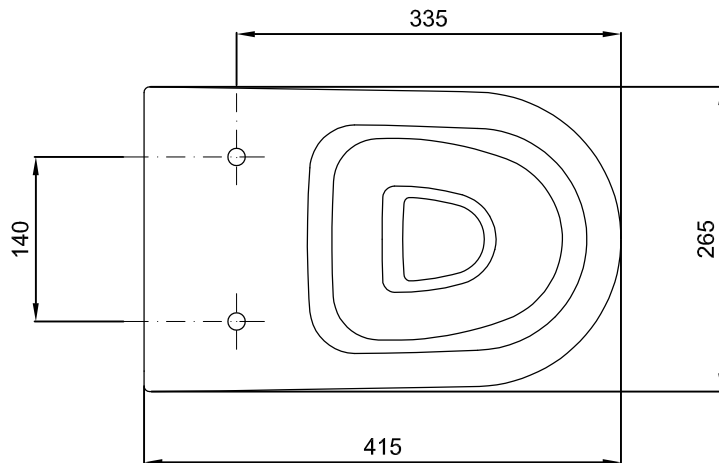
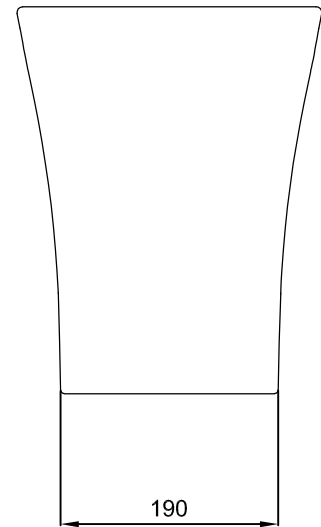
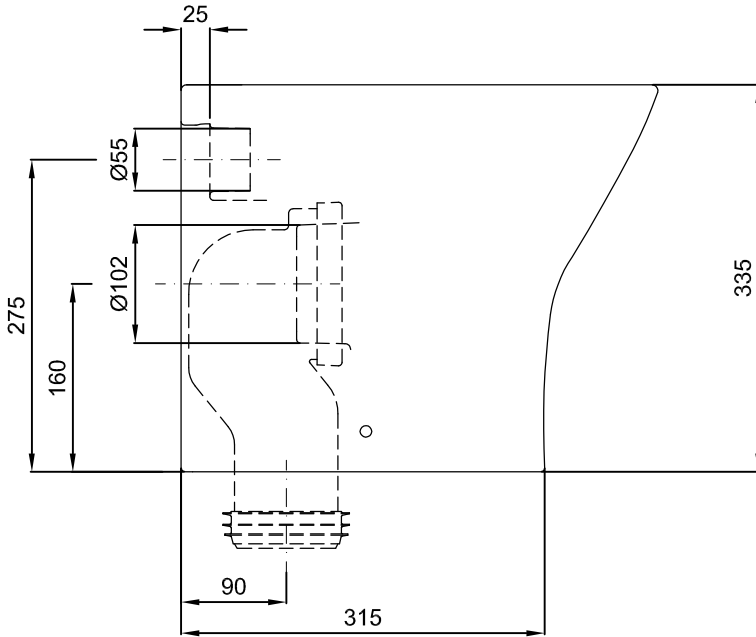
FEATURES OF THE MODEL:

- MATERIAL: VITREOUS CHINA
- SIMPLE TOILET WITH DIRECT DISCHARGE AND DUAL OUTLET WITH TECHNICAL OUTLET
- FITTED TANK TOP RECESSED OR FLOWMETER
- EN 33; EN 997; UNE-EN 33; UNE-EN 997; NF-EN 33; NF-EN 997; NF D 12 - 101
- NF D 12 - 203
- TWO YEARS WARRANTY
- WEIGHT: 12.0KG

PART:

- DESCRIPTION: SIMPLE TOILET
- SERIES: NEXO
- VERSION: DUAL OUTLET (H/V)
- REF: S100131233...00

SKETCH WITH DIMENSIONS AND CONNECTIONS:



INCLUDED COMPONENTS:

- FIXING KIT TOILET Ref: TNR1000000001004
- EVACUATION CURVED Ref.: E55824000

RELATED PRODUCTS:

- SEAT&COVER - (OPTIONAL, CONSULT GENERAL CATALOGUE)

FORM N°: SDRW-000043240-d

The products presented follow technical specifications Sanitana SA. The dimensions are approximate. For installation as only to be considered the dimensions of the part to be removed applied. We reserve the right to make technical changes to improve the functionality of our products without notice.