

**15714551**

**Product Specification Sheet**

Print Date 14.07.2020

NEON TALL LAVABO BATARYASI 1/2" FLEX

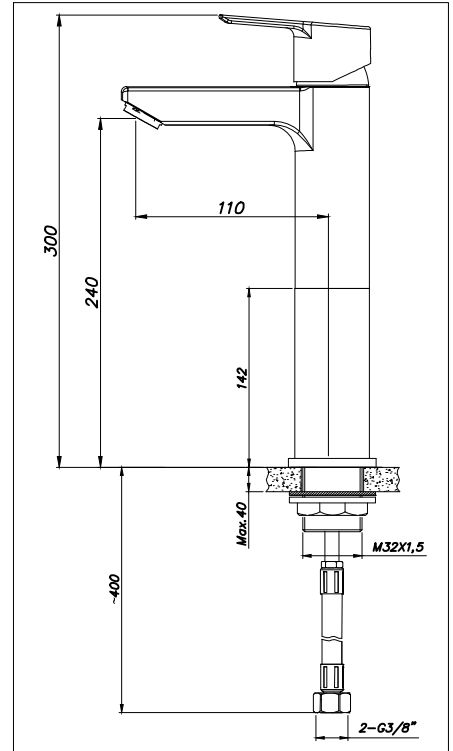
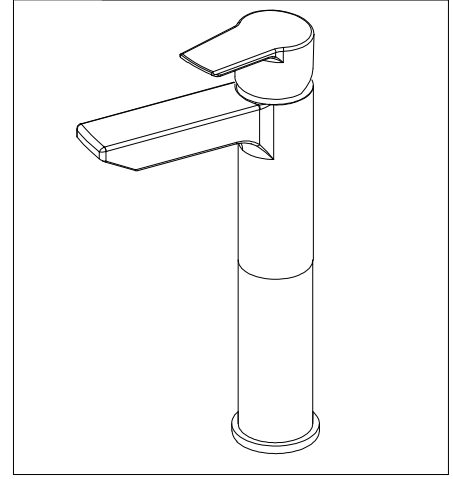
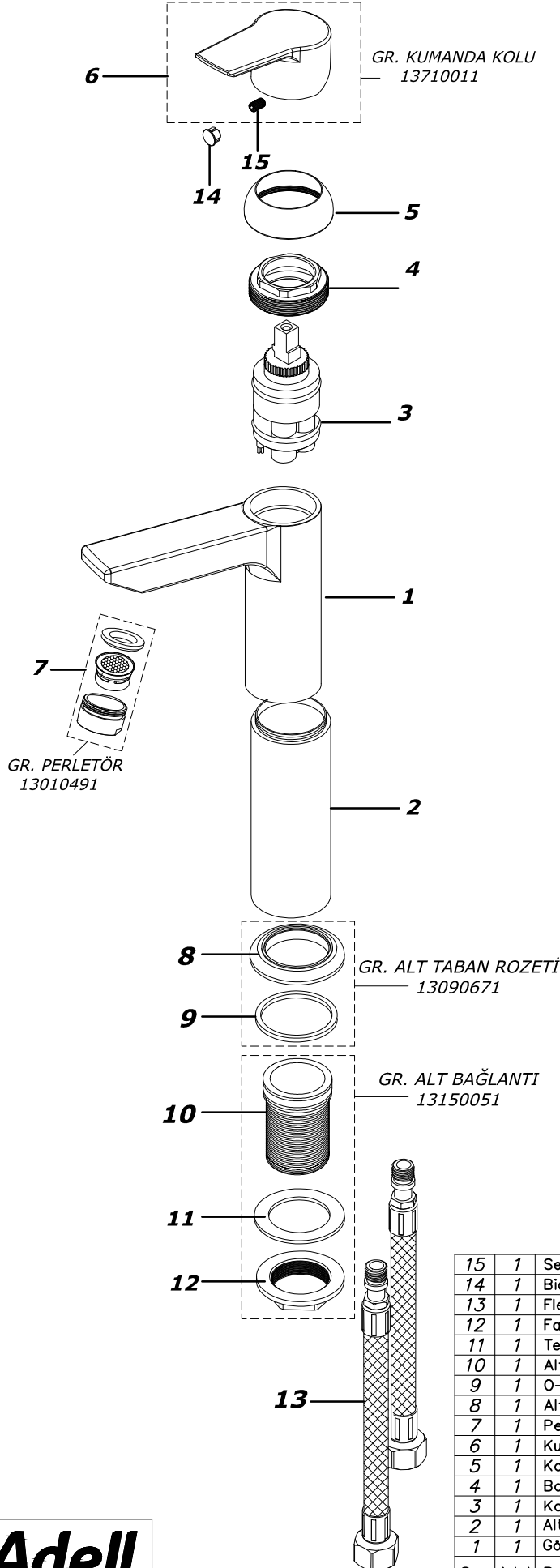
NEON TALL BASIN FAUCET 1/2" FLEX



### Technical Specifications

Finish	Chrome
Manufacturer Warranty	10 Year
Water Connection Flex Dimension	
Product Standard	TS EN 817 (Single Control)
Body Raw Material	Brass
Aearator Type	M24X1 Male Threaded
Operation Type	Ceramic Disc Cartridge Ø35 mm With Leg Direct Flex Inlet
Number Of Control Handle	Single
Max. Performance Pressure	10 Bar
Suggested Performance Pressure	3 Bar
Min. Performance Pressure	0.5 Bar
Suggested Min. Pressure	1 Bar
Max. Performance Temperature	80°C
Suggested Performance Temperature	60°C
Installation Connection Type	Countertop
Spout Length	110 mm
Spout Height	240 mm
Water Connection Flex Length	60 cm
Dimension Of Base Rosette	Ø50 mm
Number Of Loom Holes For Assembly	1
Loom Hole Diameter	Ø33±1 mm
Max. Loom Thickness	40 mm
Spout / Pipe Type	Fix
Product Total Height	300 mm

## NEON TALL LAVABO BATARYASI - 15714551



Sıra	Adet	Parça/Grup Adı	Kod No	Ölçü	Malzeme
15	1	Setuskur	12010490	M5x8	AISI-304
14	1	Bice	12011290	ø7,6	
13	1	Flex 60cm	12010920	M10x1-1/2"	
12	1	Faturalı Somun	12140120	M32x1,5	
11	1	Tespit Plaka Contası	12450150	ø4,3xø3,3x3	NBR
10	1	Alt Bağlantı Burcu	12150030	M36x1,5-M32x1,5	
9	1	O-Ring	12030780	ø40,95xø2,62	NBR
8	1	Alt Govde Tabanı	12090671		
7	1	Perlatör Gr.	13010491	M24x1	
6	1	Kumanda Kol Gr.	13710011		Zamak
5	1	Kartuş Rozeti	12010381	M37x1,25	CuZn40Pb2
4	1	Baskı Somunu	12020360	M37x1,25	Plastik
3	1	Kartuş (Flex Girişli)	12011390	ø35	
2	1	Alt Govde	12490241	L=140	
1	1	Gövde	12710031		

**Adell**