
glassbox concealed cistern portfolio



T03-C130S



T03-C130B



T03-C113S



T03-C113B

T03-C130B T03-C130S

self supporting dual flush glassbox cistern
for floor standing wc

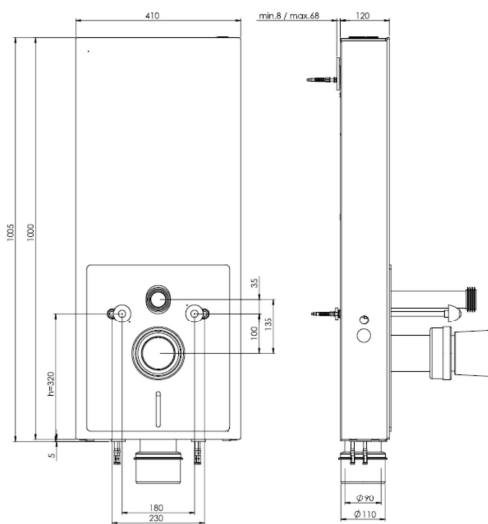


properties

installation: ideal for wall supporting application into wet wall, wall supporting application in wet wall and prewall self supporting application for light wall.
working pressure range: 0,2-16 bars
fill duration: 39 secs for 6 lt at 3 bars
flush volume: 3/6 litres
supply water connection: 3/8" M
Compatible with floor standing WC
 Concealed cistern is included. Toilet is not included.
Material: Tempered Glass
Thickness of glass: 6 mm
Thickness: 12cm
Weight: 22,90 kg
 Should be used in front of the wall

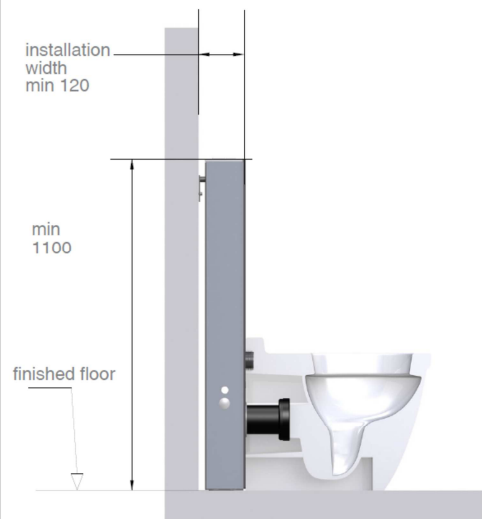
product dimensions

in mm' s.

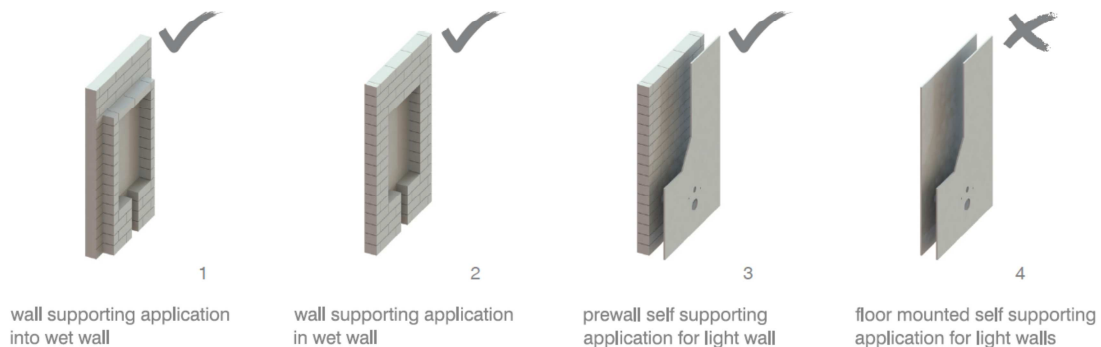


h is the average distance between bolt axis and finished floor surface. Correct distance should be adjusted referring to bowl technical manual.

installation section



installation types



T03-C113S T03-C113B

self supporting dual flush glassbox cistern for wall hung wc

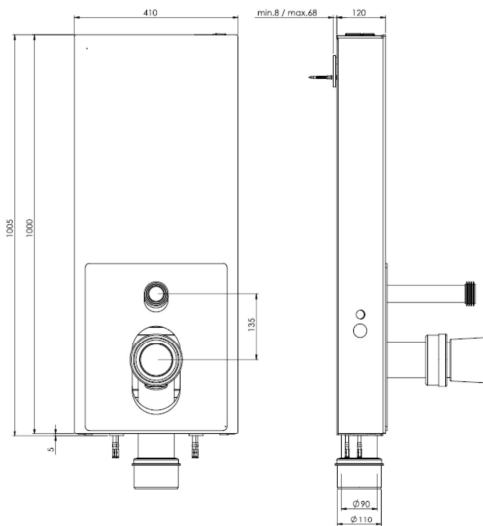


properties

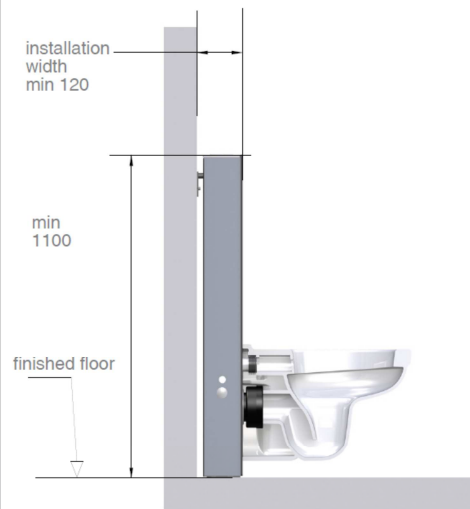
installation: ideal for wall supporting application into wet wall, wall supporting application in wet wall and prewall self supporting application for light wall.
working pressure range: 0,2-16 bars
fill duration: 39 secs for 6 lt at 3 bars
flush volume: 3/6 litres
supply water connection: 3/8" M
bowl fixing bolt axes: 180mm or 230mm
Compatible with wall hung WC
Electric wiring should be installed before plastering
Concealed cistern is included. Toilet is not included.
Material: Tempered Glass
Thickness of glass: 6 mm
Thickness: 12cm
Weight: 22,90 kg
Should be used in front of the wall

product dimensions

in mm' s.



installation section



installation types

