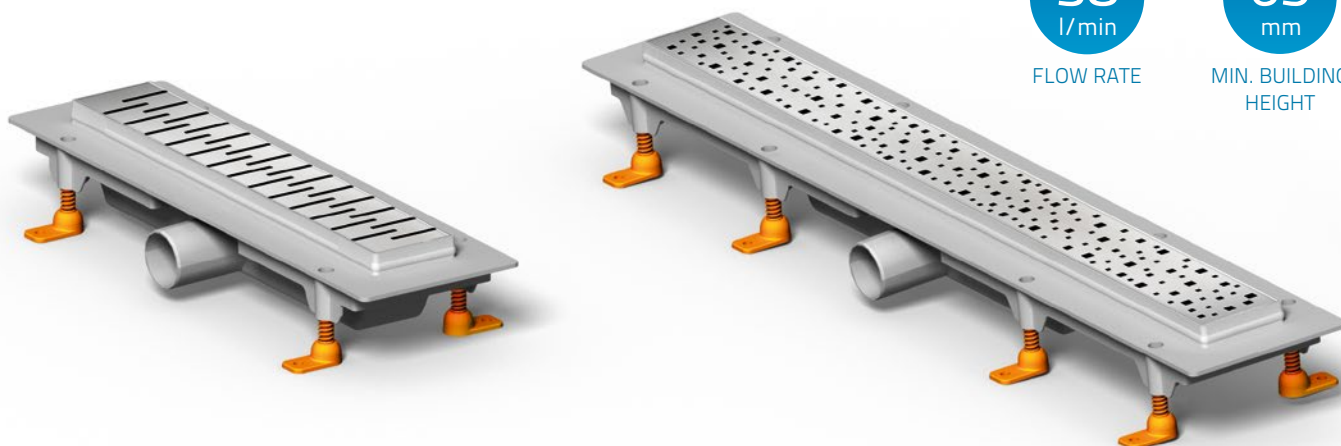


38
l/min
FLOW RATE

65
mm
MIN. BUILDING
HEIGHT



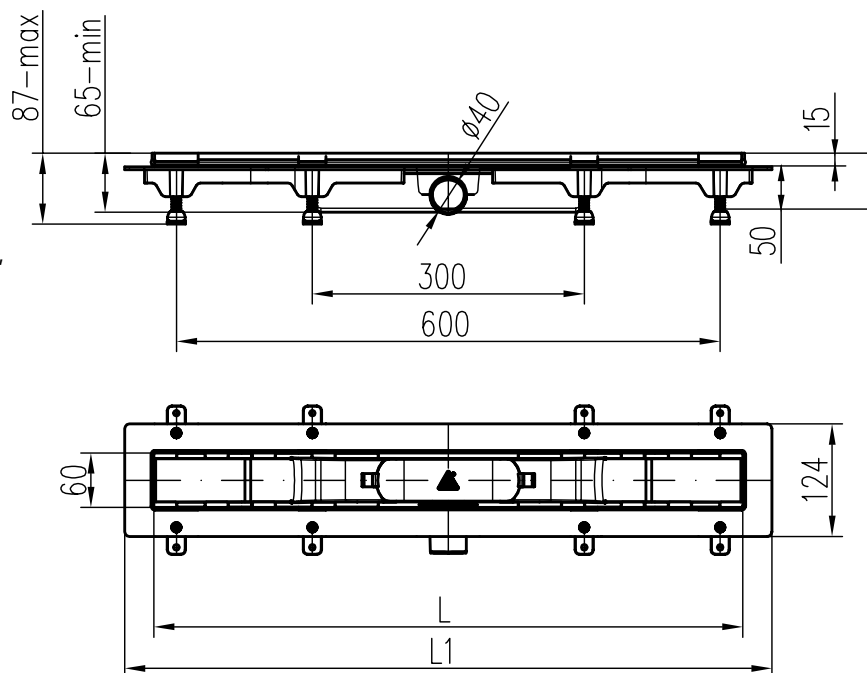
LINEAR FLOOR DRAINS



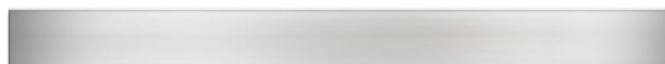
Linear floor drains are accessories for modern interior bathrooms, sauna and relaxation areas. Their advantage is easy installation, maintenance and use of barrier-free areas. The bottom part is made of polypropylene, cover grid is 1.5 mm stainless steel DIN 1.4301 with loading capacity K3 to 300 kg. The minimum building height is 65 mm and the drain is adjustable. Connection to drainage pipe \varnothing 40 mm. The package includes installation instructions, self-adhesive waterproofing membrane, adjustable legs, nylon plugs and screws.

ADVANTAGES OF LINEAR FLOOR DRAINS:

- low building height 65 mm,
- height adjustment from 65 mm to 87 mm,
- flow rate 35-38 l / min. according to EN 1253-2,
- combined siphon: water level / dry flap,
- load capacity K3 (300 kg),
- 1.5 mm stainless steel grid in gloss / matte according DIN 1.4301,
- dimensional series 350, 450, 650, 750, 850 mm,
- two versions standard and to the wall,
- easy disassembly for cleaning siphon.



GRID TYPES



Klasik



Drops



Square



Medium



Basic



Floor

Part No. GLOSS	Part No. MATTE	Dimension L [mm]	Dimension L1 [mm]	Weight [kg/pcs]
----------------	----------------	------------------	-------------------	-----------------

KLASIK

CH-350 K	CH-350 K 1	350	415	1,70
CH-450 K	CH-450 K 1	450	515	1,80
CH-650 K	CH-650 K 1	650	715	2,10
CH-750 K	CH-750 K 1	750	815	2,20
CH-850 K	CH-850 K 1	850	915	2,30



SQUARE

CH-350 S	CH-350 S 1	350	415	1,70
CH-450 S	CH-450 S 1	450	515	1,80
CH-650 S	CH-650 S 1	650	715	2,10
CH-750 S	CH-750 S 1	750	815	2,20
CH-850 S	CH-850 S 1	850	915	2,30



BASIC

CH-350 B	CH-350 B 1	350	415	1,70
CH-450 B	CH-450 B 1	450	515	1,80
CH-650 B	CH-650 B 1	650	715	2,10
CH-750 B	CH-750 B 1	750	815	2,20
CH-850 B	CH-850 B 1	850	915	2,30



DROPS

CH-350 D	CH-350 D 1	350	415	1,70
CH-450 D	CH-450 D 1	450	515	1,80
CH-650 D	CH-650 D 1	650	715	2,10
CH-750 D	CH-750 D 1	750	815	2,20
CH-850 D	CH-850 D 1	850	915	2,30



MEDIUM

CH-350 M	CH-350 M 1	350	415	1,70
CH-450 M	CH-450 M 1	450	515	1,80
CH-650 M	CH-650 M 1	650	715	2,10
CH-750 M	CH-750 M 1	750	815	2,20
CH-850 M	CH-850 M 1	850	915	2,30



FLOOR (TILES)

CH-350 K	CH-350 K 1	350	415	1,70
CH-450 K	CH-350 K 1	450	515	1,80
CH-650 K	CH-350 K 1	650	715	2,10
CH-750 K	CH-350 K 1	750	815	2,20
CH-850 K	CH-350 K 1	850	915	2,30

