

Product data sheet



Information

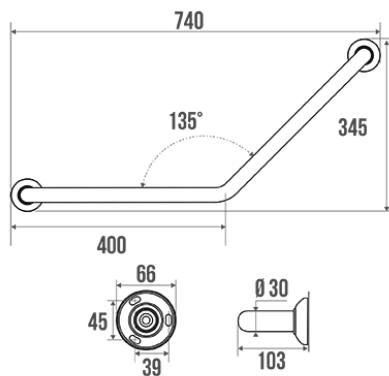
Designation	135° angled grab bar, 400 x 400 mm, White Epoxy-coated Aluminium, tube Ø 30 mm
Reference	049230



Product advantages

- + Possible to fit it "to the right" or "to the left".
- + Concealed fixings.
- + Corrosion resistant warranty.

Description



135 degree angle.
Symmetrical.
Concealed fixings.
White epoxy-coated aluminium tube Ø 30 mm.
White resin flanges. (65 ou 66 mm)

Possibility to fix the toilet roll holder ref. 048820 to this bar.
Design coordinated with the TRIOLO Range accessories.
Fixing screws included (4 x 30 mm).

Technical characteristics

Material	Aluminium
Finish	Epoxy-coated
Color	White
Dimensions	400 x 400 mm
Diameter Ø	30 mm
Gross weight	0.620 kg
Net weight	0.760 kg
Packaging	Plastic protection bag + Hanger for display
CE Marking : safe load	150 kg
Laboratory tests	225 kg

Guarantee	10 years
Gencod	3563390492307
Custom code	7615200000
Technical sheet	A49130137_IND_06

Fixing and maintenance advices

Recommended height for the horizontal part : 800 mm from the ground. Grab bars provide support and added safety if properly fitted in accordance with our technical instructions. Careful consideration and selection of the appropriate wall fixings according to the wall-mounted support is required to ensure the long life of your accessory. The use of stainless steel screws (Ø 4 mm) is highly recommended to prevent corrosion in damp environment. Before drilling, physically hold the product against the wall at desired position and mark the hole locations. All the fixing points must be respected. After installation and before use, make sure that all fixing screws are tightened securely. DO NOT use the grab bar as a step. DO NOT sit on or hang from the grab bar.

Maintenance

IMPORTANT: To ensure the sustainability of the product and user safety, we recommend using a solution made of mild soap for cleaning. CAUTION: DO NOT USE cleaning products made of: etones, hydrocarbons, acids, bases, esters and ethers. After use of a cleaning product, make a rinsing in the clear water.

Confort of use

Function		Characteristics	
Support	3 / 3	Horizontal	3 / 3
Raising	3 / 3	Diagonal	3 / 3
		Corrosion resistant	3 / 3
Type of Use		Location of Use	
Bath	3 / 3	Medical facilities	3 / 3
Shower	3 / 3	ERP/IOP	3 / 3
Toilet	3 / 3	Hotels	1 / 3
Cloakroom/Changeroom	3 / 3	Private homes	3 / 3
		Workplaces	3 / 3

Fiche produit mise à jour le : 11/01/2019