



51402293 HANSAPOLO Washbasin faucet

EAN: 4057304002779

body: DR brass (MS 63), operating lever, (-) H+C symbol, aerator, (-) constant flow rate independent of pressure, pop-up waste (metal) and draw-rod, rapid installation system, connection with flexible hoses G 3/8 (-) DVGW W270 approved

- Bathroom
- Single-grip
- Chrome
- Fixed spout
- PCA® for a constant flow rate regardless of pressure fluctuations, HONEYCOMB® with improved lime protection
- Lever with H+C symbol
- pop-up waste with draw-rod
- limitation option for maximum flow-rate
- temperature limiter
- flexible inlet pipe(s)
- body made of DZR brass

Technical data

Flow properties

Flow-rate at 300 kPa (with flow controller)	0.10 l/s
Pressure loss with flow (0.1 l/s)	200 kPa

Technical properties

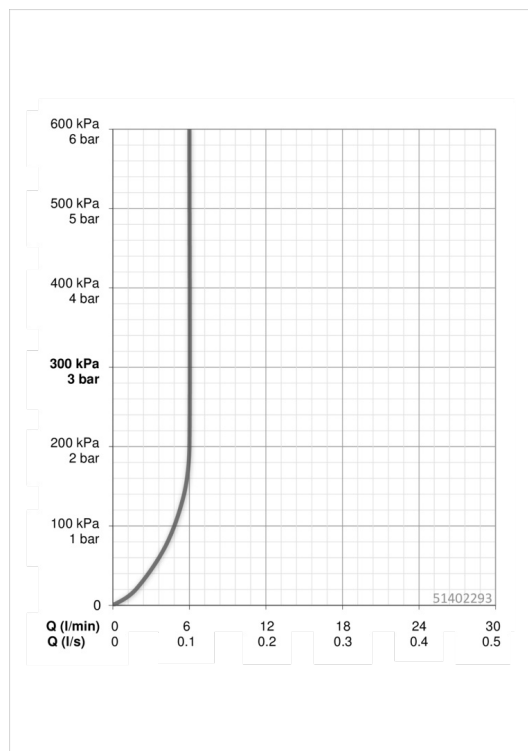
DN-size (nominal dimension)	DN15
Hot water supply	max. +80°C
Working pressure	50 - 1000 kPa
Connection size	G3/8
Length / Height	137 mm

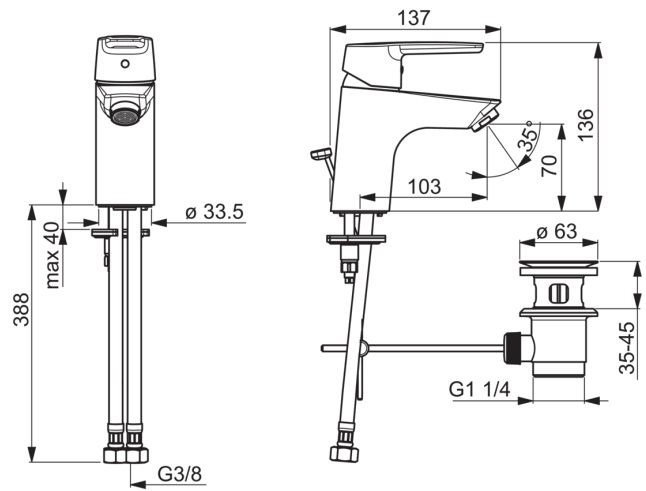
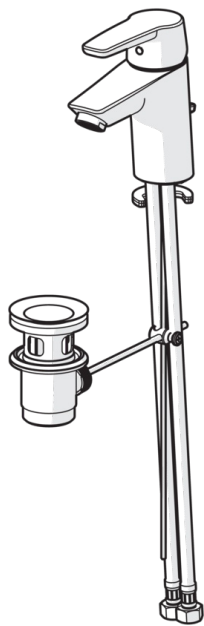
Regulations

Noise class	I
-------------	----------

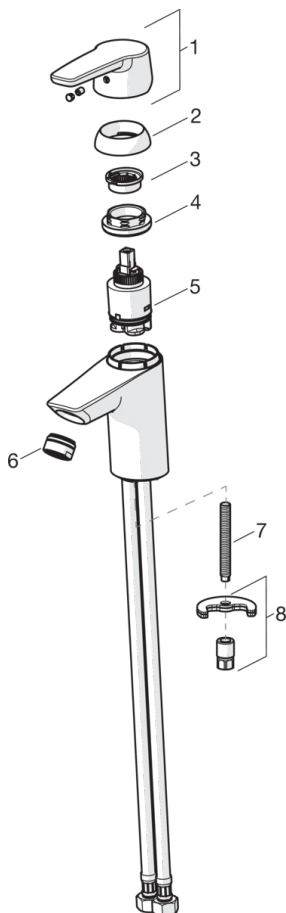
Type approvals

DVGW	NW-6506BP0361
KIWA	K6116/06
ItemTypeApprovalABP	P-IX 28365/IA
CSTB	322-M1-17/1
ACS	16 ACC NY 205





Spare parts



SP51402293

	Code
01	59914417
02	59912504
03	59912325
04	59913210
05	59913075
06	59913727
07	59912474
08	59910749