

Sanitana

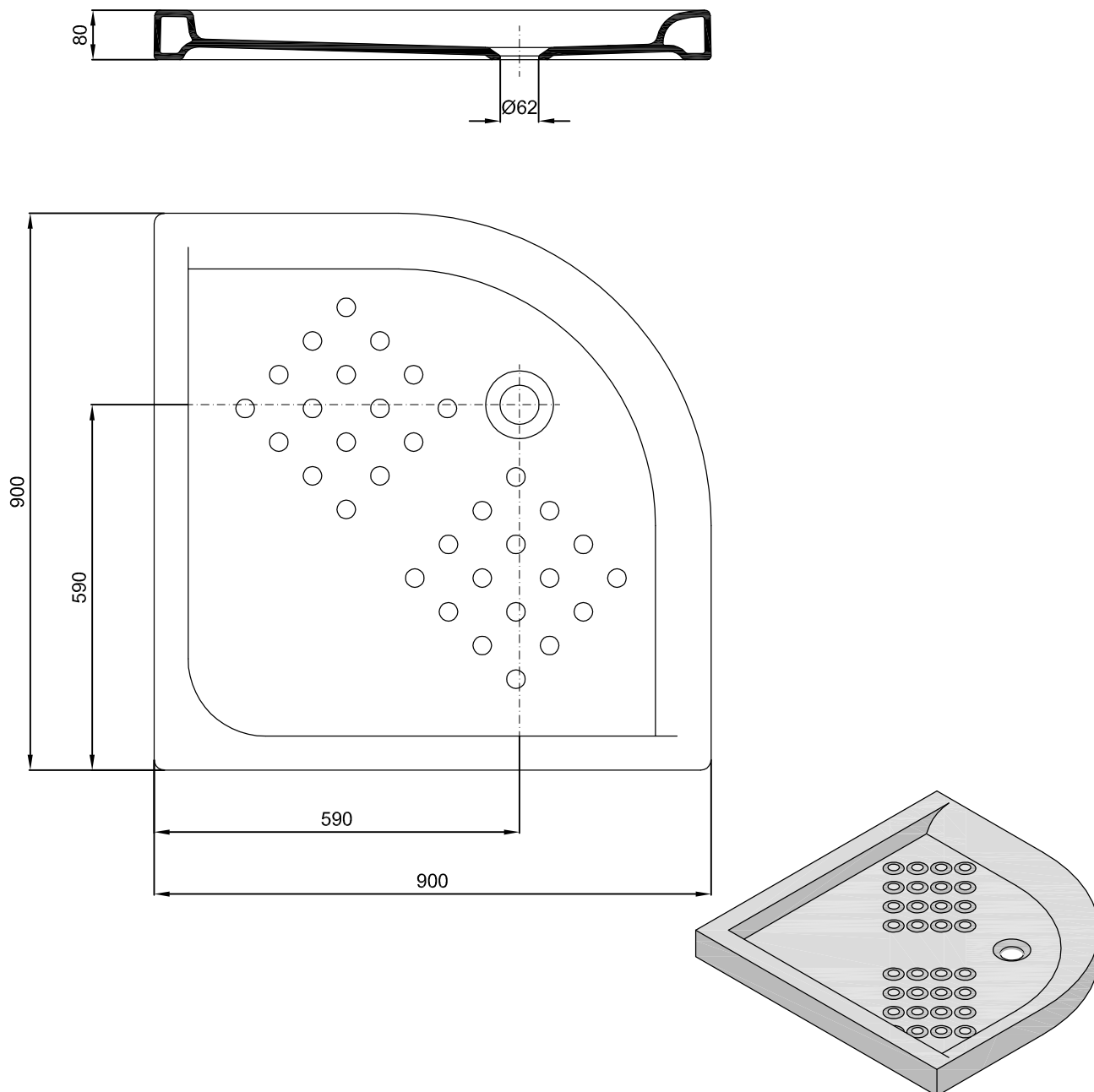
CARACTERÍSTICAS DO MODELO:

- MATERIAL: GRÉS FINO
- BASE DE CHUVEIRO ANGULAR COM FURO DE DESCARGA NO CANTO PARA COLOCAR SOBRE O SOLO
- S/EN 251; UNE - EN 251
- GARANTIA DE 2 ANOS
- PESO: 30.5KG

PEÇA:

- DESCRIÇÃO: BASE DE CHUVEIRO
- SERIE: JULIETA
- VERSÃO: ANGULAR 90x90
- REF: DCGAC9090

CROQUIS COM DIMENSÕES GERAIS E DE LIGAÇÃO:



COMPONENTES INCLuíDOS:

PRODUTOS ASSOCIADOS:

- VÁLVULAS DE DESCARGA - (OPCIONAL, CONSULTAR CATALOGO GERAL)

Sanitana

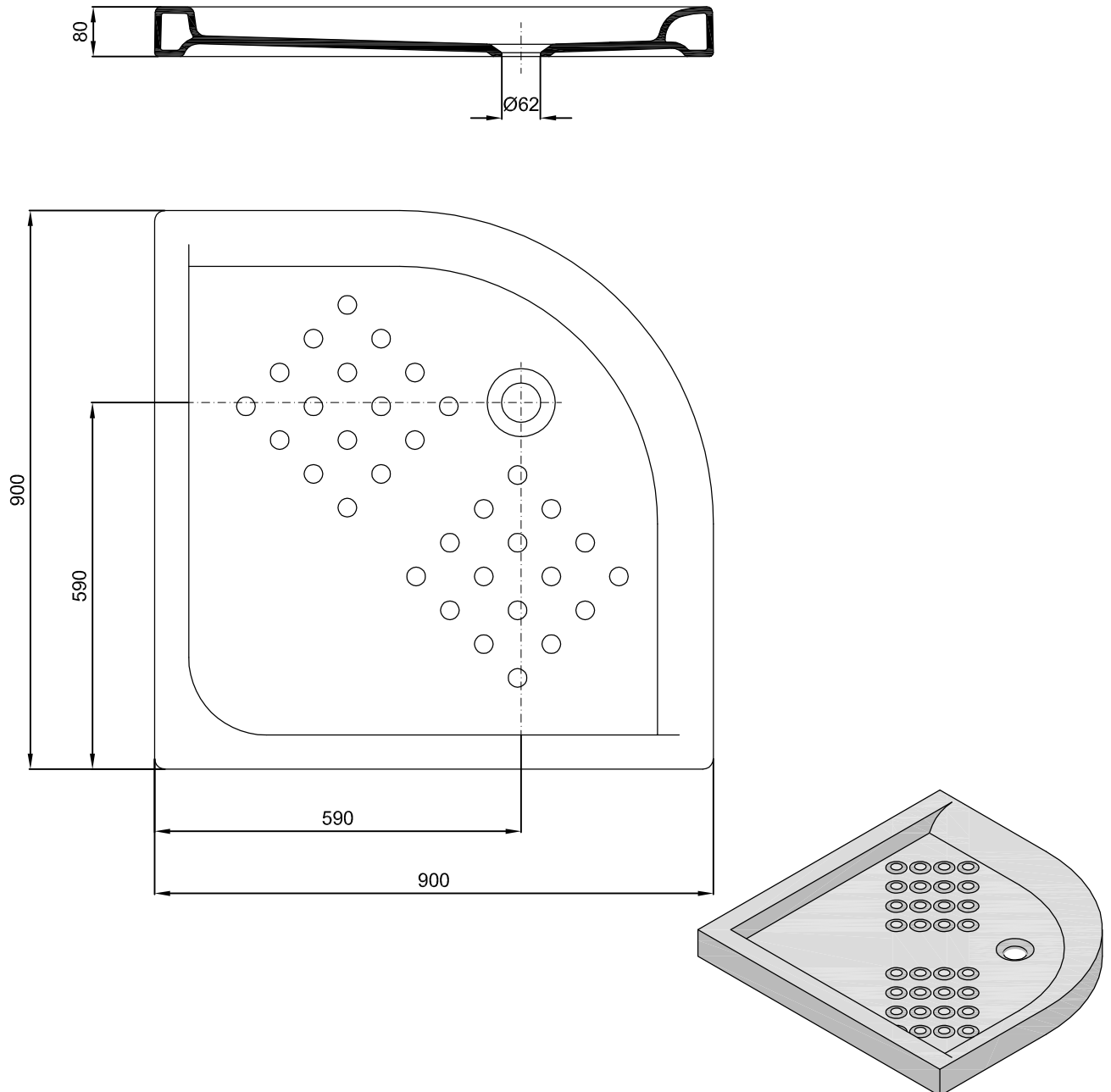
FEATURES OF THE MODEL:

- MATERIAL: FIRE CLAY
- SHOWER TRAY THE CORNER WITH HOLE DISCHARGE IN THE CORNER OF PUT ON THE GROUND
- S/EN 251; UNE - EN 251
- TWO YEARS WARRANTY
- WEIGHT: 30.5KG

PART:

- DESCRIPTION: SHOWER TRAY
- SERIES: JULIETA
- VERSION: CORNER 90x90
- REF: DCGAC9090

SKETCH WITH DIMENSIONS AND CONNECTIONS:



INCLUDED COMPONENTS:

RELATED PRODUCTS:

- DISCHARGE VALVES - (OPTIONAL, CONSULT GENERAL CATALOGUE)

FORM Nº: SCDRW-000044202a

The products presented follow technical specifications Sanitana SA. The dimensions are approximate. For installation as only to be considered the dimensions of the part to be removed applied. We reserve the right to make technical changes to improve the functionality of our products without notice.